

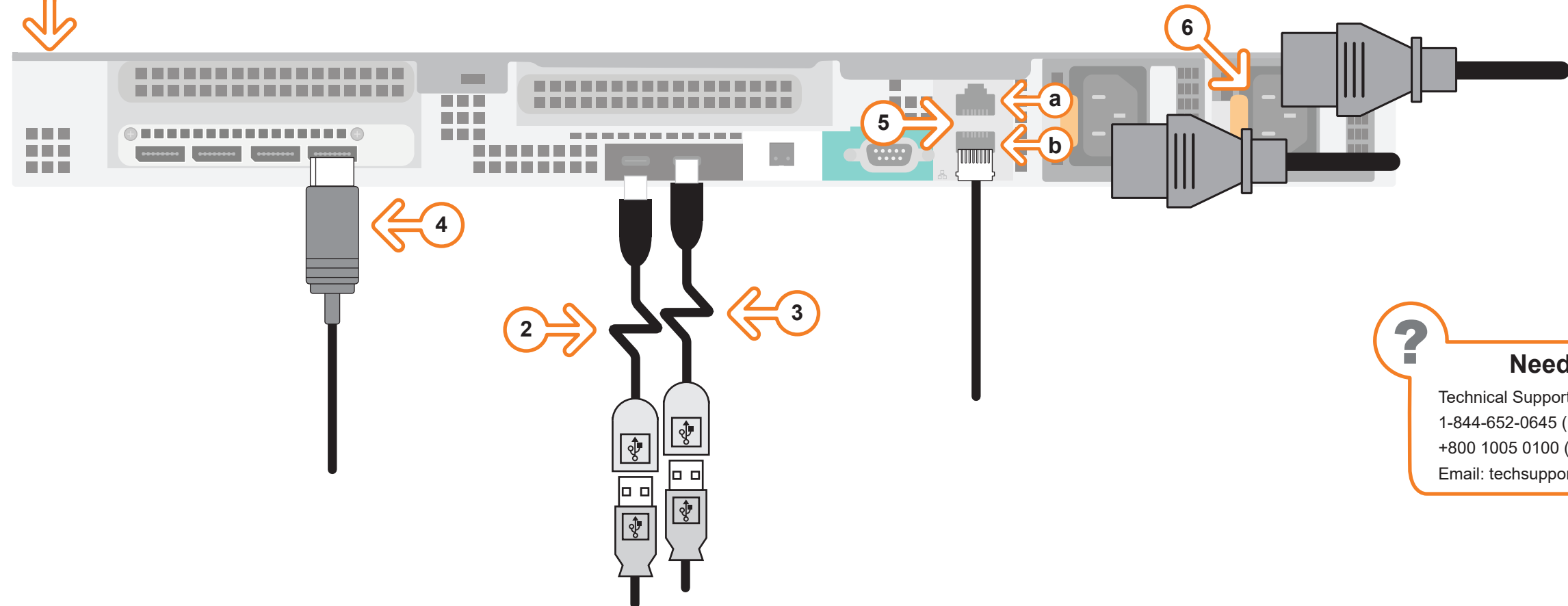
XPression

Getting Started

⚠ CAUTION: Before you set up and operate this product, see the “Important Safety Instructions” in your Manual.

When contacting technical support: please provide the information listed on the following label, which is located on the top right front side of the chassis.

Ross Video Ltd.
Part #: #####
Issue: #
Serial #: #####



Need Help?
Technical Support:
1-844-652-0645 (North America)
+800 1005 0100 (International)
Email: techsupport@rossvideo.com

- 1 Use the supplied Rack Mount Kit to mount the XPression system in a 19" EIA equipment rack.
For information on installing the XPression chassis in a rack, see the provided document “Installing the Chassis in a Rack”.
- 2 Plug the supplied Keyboard into one of the **USB-C** ports using the supplied USB-C to USB-A adapter.
- 3 Plug the supplied Mouse into one of the **USB** ports using the supplied USB-C to USB-A adapter.
- 4 Connect a Monitor (customer supplied) to any of the four display ports.
KVM extenders (customer supplied) are required when the XPression system monitor, keyboard, and mouse are located remotely from the rack room.
- 5 Plug an Ethernet cable from your Local Area Network into either the **1G (a)** or **10G (b) Ethernet** port.
XPression systems can be connected to the Internet or restricted production network. The network connection is also used to distribute assets and for the RossTalk/Smart GPI feature.
- 6 Connect power cords from the AC Ports on the XPression system to the mains power.
XPression system power supplies are auto-sensing and can use either 110 VAC or 220 VAC.
- 7 On the front of the chassis, press the button on the outer-left side of the door and pull the door outward to remove it from the XPression system.
- 8 Press the **Power** button (⏻) on the front of the XPression system.
Wait for the system to finish booting up.
When shutting down, Ross Video recommends shutting down XPression systems from the Windows operating system.

For information on...

- XPression and XPression workflow features and functions, see the documents available in the C:\Archive folder